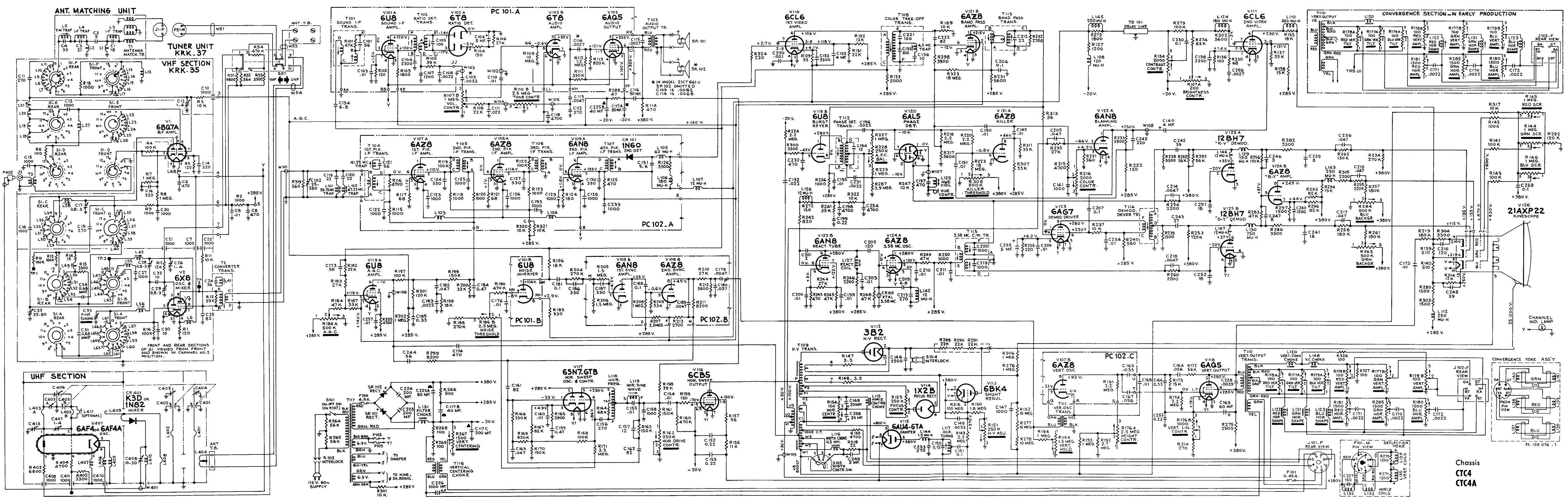


PRODUCTION CHANGES IN CTC4 AND CTC4A

- In some receivers, a .082 mf. capacitor (C142) was connected from the green screen control (R144-2) to ground.
- In some receivers, a .082 mf. capacitor (C143) was connected from the red screen control (R145-2) to ground.
- In some receivers, a .082 mf. capacitor (C144) was connected from the blue screen control (R146-2) to ground.
- In some receivers, C148 across terminals 1 and 2 of R154, horizontal centering control, was 10 mf.
- In some receivers, a 10 mf. capacitor (C148A) was connected across terminals 1 and 3 of R154, horizontal centering control.
- In some receivers, C166, at terminal U of PC102, was connected to ground.
- In some receivers, C175, at pin 5 of V118, was .039 mf.
- In some receivers, C198, in grid circuit of V122B, was .01 mf.
- In some receivers, C215, in plate circuit of V124B, was .01 mf.
- In some receivers, C217, in plate circuit of V125B, was .01 mf.
- In some receivers, C236, in plate circuit of V125A, was .01 mf.
- In some receivers, C240, at pin 7 of V124B, was 270 mmf.
- In some receivers, C243, at terminal D of T114, was 39 mmf.
- In some receivers, C246, at pin 9 of V124B, was 2.0 mmf.
- In some receivers, C247, at terminal D of T114, was connected between the junction of R305/R255 and ground.
- In some receivers, C248, was .0012 mf., and was connected from the junction of L112/R314 to L111.
- In some receivers, C254, in grid circuit of V122B, was omitted.
- In some receivers, C255, at pin 2 of V118, was omitted.
- In some receivers, C256, at pin 1 of V111, was omitted.
- In some receivers, C257, at pin 3 of V119A, was omitted.
- In some receivers, C258 across terminals 2 and 3 of R154, horizontal centering control, was omitted.
- In some receivers, C259, between R146-3 and +385 volt buss, was omitted.
- In some receivers, a 62 microhenry coil (L111) was connected between C248 and C240 at pin 7 of V124B.
- In some receivers, a 1.0 MH coil (L128) was connected from pin 9 of V124B to the junction of R283 and R256.
- In some receivers, L129, at pin 1 of V125A, was 1.7 MH.
- In some receivers, L143, at pin 8 of V124B, was 1.7 MH.
- In some receivers, L148, at R177B-3, was omitted and R177B-3, R178B-3 and R179B-3 were connected to L120.
- In some receivers, R118, at pin 2 of V107A, was 10,000 ohms.
- In some receivers, R123, at pin 2 of V108A, was 10,000 ohms.
- In some receivers, R144, R145 and R146 (screen controls) were 500,000 ohms.
- In some receivers, R203, a 3.3 megohm resistor, was connected between R186, noise threshold control and the junction of R199, C182, R201 and R197.
- In some receivers, R230, at pin 1 of V111, was omitted.
- In some receivers, R231, at terminal A of T113, was 10,000 ohms.
- In some receivers, R232, across terminals C and D of T113, was 2,200 ohms.
- In some receivers, R234, at pins 2-9 of V110, was omitted.
- In some receivers, R256, at pin 9 of V124B, was 120,000 ohms.
- In some receivers, R259, in plate circuit of V125B, was 56,000 ohms.
- In some receivers, R276, in lead to V126-9 (kinescope), was 470,000 ohms.
- In some receivers, 56,000 ohm resistor (R281) was connected in parallel with R259 at V125B plate circuit.
- In some receivers, R283, at pin 9 of V124B, was 56,000 ohms.
- In some receivers, R292, at R146-1, was 56,000 ohms, 2 watts.
- In some receivers, R297, at pin 7 of V124B, was 2700 ohms.
- In some receivers, R306, in lead to V126-9 (kinescope), was 470,000 ohms.
- In some receivers, a 470 ohm resistor (R312) was connected between pin 6 of V116 and -20 volt buss.
- In some receivers, R314, at pin 13 of kinescope, V126, was 470 ohms and was connected between the junction L112/C248 and the -285 volt buss.
- In some receivers, a 180 ohm resistor (R315) was connected between the junction of C240/L111 and ground.
- In some receivers, R319, at T104 input, was omitted.
- In some receivers, R320 and R321, between terminal C of PC102 and +285 volt buss, were omitted.
- In some receivers, R322, in grid circuit of V122B, was omitted.
- In some receivers, R323, at terminal A of T113, was omitted.
- In some receivers, R325, at pin 3 of V119A, was omitted and V119A-3 was connected to +285 Volt.
- In some receivers, R326, at R179B, vertical amplitude control, was omitted.
- In some receivers, R237, at R177B-3, was omitted.
- In some receivers, terminal U1 of T109 was -70 volts.
- In some receivers, V111-4 was connected to Y1 instead of Y.
- In some receivers, V115 was a 6BL4.
- In some receivers, V121B-2 was connected to terminal A of T113.
- In some receivers, V125A pins 4 and 5 were connected to Y instead of Y1.
- In some receivers, the blu/yel lead of T117 was not connected to +380 volts and the blu lead of T117 was grounded.
- In some receivers, the convergence circuit was connected as shown in the small circuit shown at the upper right hand corner of the schematic diagram.

Circuit Diagram for Chassis CTC4, CTC4A



Chassis
CTC4
CTC4A

Circuit Diagram for Chassis CTC4, CTC4A